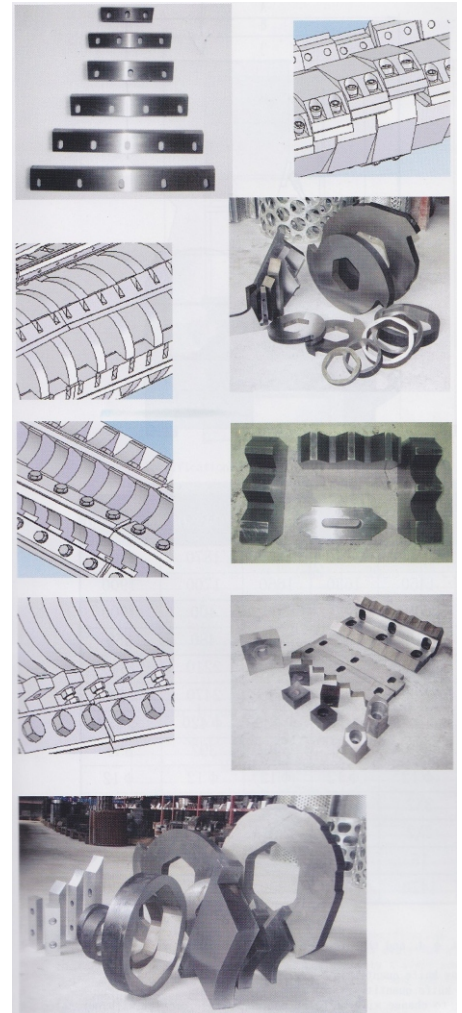
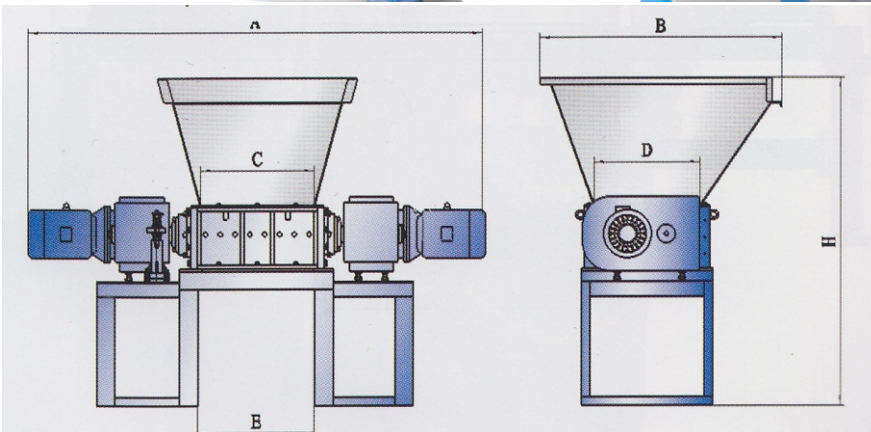


**JKS**WOOD & METAL  
MACHINES

# Drtič dvouhřídelový pro velkou frakci GL



|                 | <b>GL3280</b> | <b>GL32100</b> | <b>GL32120</b> | <b>GL40100</b> | <b>GL40130</b> | <b>GL40160</b> |
|-----------------|---------------|----------------|----------------|----------------|----------------|----------------|
| A(mm)           | 3370          | 3880           | 3680           | 3420           | 3720           | 4020           |
| B(mm)           | 1400          | 1400           | 1990           | 2240           | 2240           | 2240           |
| C(mm)           | 804           | 1004           | 1204           | 1000           | 1300           | 1600           |
| D(mm)           | 510           | 510            | 776            | 950            | 950            | 950            |
| H(mm)           | 2340          | 2370           | 2270           | 2670           | 2670           | 2670           |
| Průměr rotoru   | 430mm         | 430mm          | 284mm          | 514mm          | 514mm          | 514mm          |
| Otáčky rotoru   | 15            | 15             | 15             | 15             | 14             | 11             |
| Nože na rotoru  | 20            | 25             | 30             | 25             | 32             | 32             |
| Příkon motorů   | 2x15kW        | 2x22kW         | 2x22kW         | 2x22kW         | 2x37kW         | 2x45kW         |
| Hmotnost stroje | 4,6t          | 5,4t           | 7t             | 10,5t          | 12t            | 14,1t          |